

产品承认书

Specification for approval

客 户 (Customer): _____

料 号 (Customer P/N): _____

型 号 (Model No.): _____ JB04510B05U2 _____

样品编号 (Sample No.): _____ 2207001 _____

送样数量 (Sample Quantity): _____ 2 PCS _____

送样日期 (Sample Issue Date): _____ 2022.07.14 _____

客户承认栏 CONFIRMATION SIGNATURE	掬旺确认栏 JROWN SIGNATURE		
	核 准 APPROVED	审 核 CHECKED	制 表 DRAWN
感谢选择我司产品，若样品符合贵司的要求，劳烦将此承认书签章回传到我司。 Thanks for choosing our product.Please sign and return this approval sheet to us after confirming your requirements.	周林成	郑 园	潘小利

东莞市掬旺科技有限公司

地址：东莞市寮步镇坑口村桃源新街 38 号 4 楼

电话：0755-2350 1155

传真：0755-2300 7558

E-mail: jwe2015@jwe-dcfan.com

网站: <http://www.jwe-dcfan.com>

一.规格说明 (Specifications)

项目 (Item)	技术参数 (Specification/Description)
尺寸/Dimension	45*45*10 MM (L x W x Thickness)
外框/Housing	Metal material
扇叶/Fan Blade	BLACK PBT94V-0
额定电压/Rated Voltage	DC 5V
工作电压/Operation Voltage	DC 2.5-5.5V
启动电压/Start-Up Voltage	DC 3V (Power ON/OFF)
转速 /Rated Rotate Speed	6800±10% RPM
运转电流/Rated Current	0.25A Label current:0.30A
功率/Rated Power	1.25 W
风量/Air Flow	3.1 CFM
风压/Air Pressure	7.71 mmAq 1.72 m/s
噪音/Noise Level	38 dB(A)
轴承/Bearing	Two Ball Bearing
锁死保护/Locked protection	NO
信号输出/Output Signal	NO
缓启动/Soft Start	NO
调速控制/PWM Control	NO
防潮等级/waterproof class	NO
极性保护/Plarity Protection	NO
环保类型/ GP Type	Yes
安规规格/Safety Approvals	CE
导线/Lead Wire	UL1007 #26AWG 框外线长 L=100±5mm PH2.0/2PIN 导线朝下金属面朝自己 左黑右红
预估寿命/Life Expectancy	50,000 Hours (At 40°C/Relative Humidity 65%)
净重/Net Weight	25 克/Gram
装箱/Packing	500 PCS/箱

二、标准说明(Application Notice)

1. 范围 (SCOPE)

此规格书说明**散热风扇**在机械和电气的特性 (This document defines mechanical & electrical characteristics of **DC brushless fan**)

2. 总体描述 (General Description)

2.1 通用规格 (General Specification) 具体规格参见第 2 页 Refer to page 2

2.2 功能 (Function)

2.2.1 信号输出 (Signal Output) 频率发生器 Frequency Generator (FG)

转速 (RPM) = 频率 (FG) *30

2.2.2 RD 信号高低电平信号输出 (High and low level signal output) 具有保护报警功能

2.2.3 速度控制类型 (Speed Control Type) PWM 控制 PWM Control

PWM 输入频率一般 18KHZ-30KHZ, PWM 最大输入电压 5.5V

3. 电气特性 (Electrical characteristics)

3.1 绝缘阻抗 (Insulation resistance)

在通入 500 伏直流电压条件下, 外框与端子线间阻抗不低于 10 兆欧

Not less than 10M ohm between housing and positive end of lead wire(red) at 500VDC.

3.2 绝缘耐压 (Dielectric strength)

在无损坏情况下调到 500 VAC 60 秒, 测量 1mA 辐射在外框与端子线之间的电流

No damage should be found at 500 VAC for 60 seconds,measured with 1mA tirp current between housing and positive end of lead wire.

3.3 绝缘类型 (Insulated Type) UL: Class A (105°C)

4. 电气机械测试 (Electrical & Mechanical Test)

4.1 旋转方向 Rotation

从标签方向看顺时针旋转 (Clockwise Rotation View From Label Side)

4.2 产品特性依照 AMCA210-85 标准在双箱里进行风量与风压的测试

The performance including air flow and air pressure measured in Double Chamber is measured according to AMCA210-85 standard

4.3 转体锁定保护 (Locked Rotor Protection)

4.1.1 小电流或者带 **Auto-start** 功能的风扇, 在通电旋转状态将风扇扇叶锁定, 持续 72 小时之后, 松开被锁定扇叶, 风扇立即自动重转, 证明风扇无异常。(To low current fan or auto-start fan, No damage shall be found after 72 hours at condition of rotor locked, The fan automatic rerun as soon as constraint has been released)

4.1.2 大电流或不带 **Auto-start** 功能的风扇, 不可长时间锁定, 否则风扇会过热损坏。

To high current fan or no auto-start fan ,It can't be locked or the fan will overheat and be damaged

5. 环保要求 (RoHS Compliance)

我们产品有害物质的含量符合欧盟指令 2002/95/EC 的要求

Hazardous substances contents in our product is in compliance with RoHS 2002/95/EC requirement

6. 预估寿命 (Life Expectancy)

在额定电压, 室温 25°C, 相对湿度 65%RH 环境中, 正常工作平均寿命约 (双滚珠) 50000 小时; (含油) 30000 小时, 具体规格参见第 2 页;

Average life is about 50000 hours while fan is operating at rated voltage in room temperature 25°C and relative humidity 65% environment, Please refer to page 2;

7. 参考环境 (Environmental)

7.1 运行温度 OPERATING TEMPERATURE RANGE	-10 to +70 deg.C
7.2 储存温度 STORAGE TEMPERATURE RANGE	-40 to +75 deg.C
7.3 运行湿度 OPERATING HUMIDITY	5 TO 90% RH
7.4 储存湿度 STORAGE HUMIDITY	5 TO 95% RH

8. 极性保护 (Protection)

8.1 极性保护 Polarity Protection

如果端子的正负极接反，产品能够承受 10 分钟不被损坏；

Be capable of withstanding 10 minutes will not cause damage if reverse connection for positive and negative leads;

8.2 马达锁住保护 Locked Rotor Protection

在运转电压范围和运转温度下，当转子被锁住后电路电流会被关闭或维持很小范围保护马达在 72 小时内不会着火。

The current will shut down or remain a little range to protect motor from fire in 72 hours when locking rotor at operation voltage range and at operation temperature;

9. 注意事项 (Notes)

9.1 如果使用上超出了本产品操作范围，本公司恕难以负责。

JROWN Corp. will not assume responsibility for the performance of the products if the application condition falls beyond the parameters stated forth in this specification.

9.2 请注意电源线接法，红色引线接电源正极(+)，黑色引线接电源负极(-)，请勿反接电源。

The correct polarity, Positive(+) and Negative(-), has to be clearly identified before connecting this product to the power supply. Please do not connect this product to the power supply with reverse polarity.

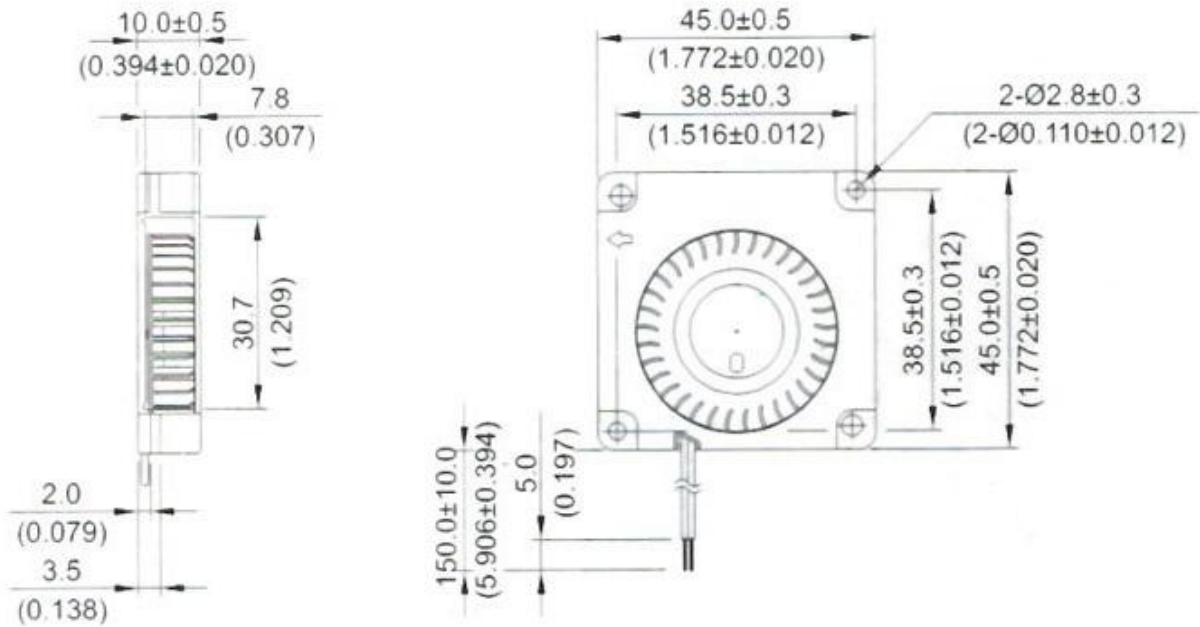
9.3 请不要将风扇储存在高湿度的环境中，请尽量避免将风扇储存期超过 6 个月。如果要长期储存，请将其在室温的环境下，且每隔 6 个月须通上电源让风扇短时间运转。

Please do not store the fan in the environment of high humidity. Please avoid storage of the fan over 6 months. For long term storage, please connect power to the fan shortly every 6 months even through the fan is stored in room temperature.

9.4 搬运或操作本产品时，请勿重压、勿摔落、勿拉扯引线以免造成产品损坏。

When handling or operating this product, please do not apply pressure to or drop this product, or handle this product by its lead wires.

三、尺寸与结构 (Dimensions & Structure) :



引线说明:

LINE 1 : RED WIRE----- (+)

LINE 2 : BLACK WIRE----- (-)

LEAD WIRE : UL1007 #26AWG 框外线长 $L=100 \pm 5$ mm PH2.0/2PIN

导线朝下金属面朝自己 左黑右红

